

1667400

RPS

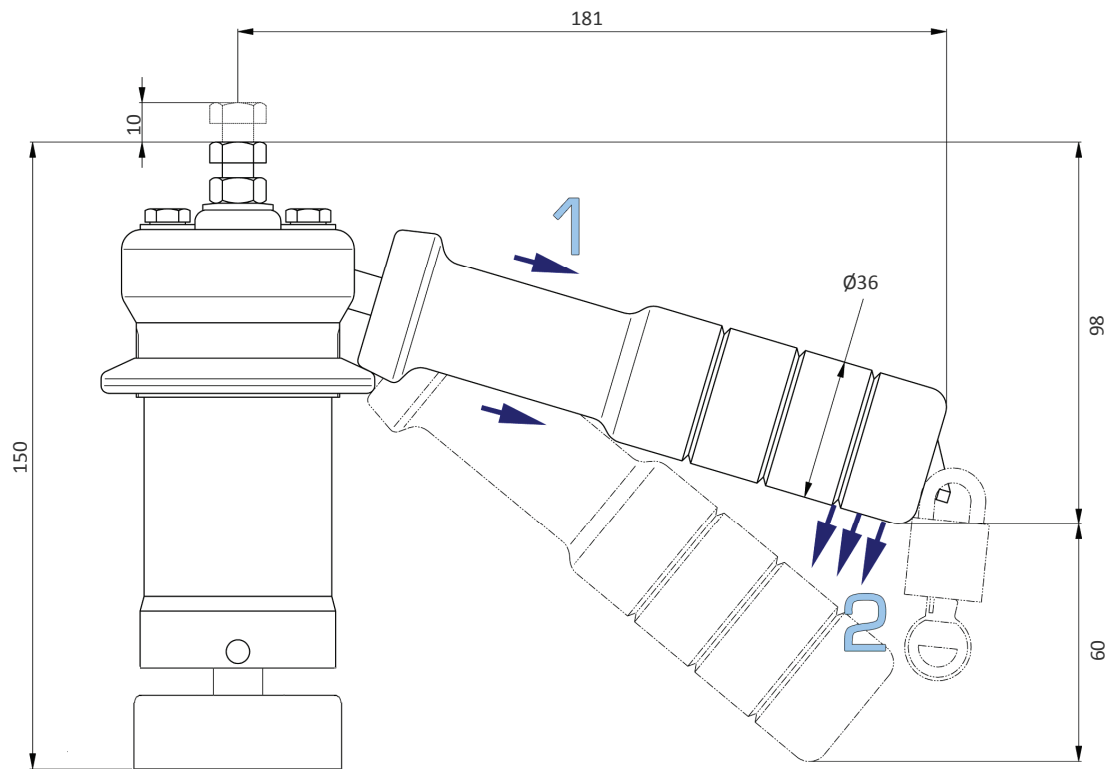
SPRING TO CLOSE HAND LEVER

TOTMANNHEBEL

COMMANDE RAPIDE

Material | Werkstoff | Matière

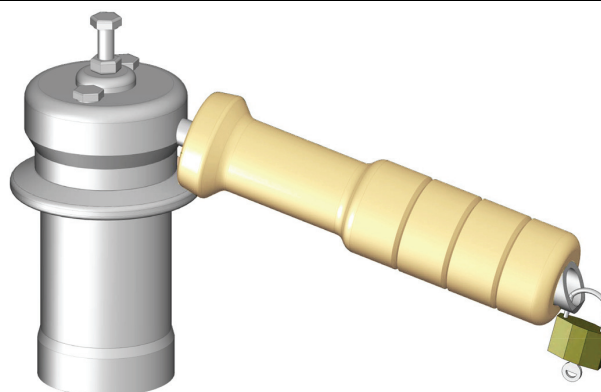
1.4435/1.4404 (316L) / PP



OPTION

KEY LOCK

Schlüsselschloss | verrouillage à clef



Option T. > 200°C (+392 °F) : 100mm Extension | Verlängerung | Rallonge

ref 01669800

p. 3.4